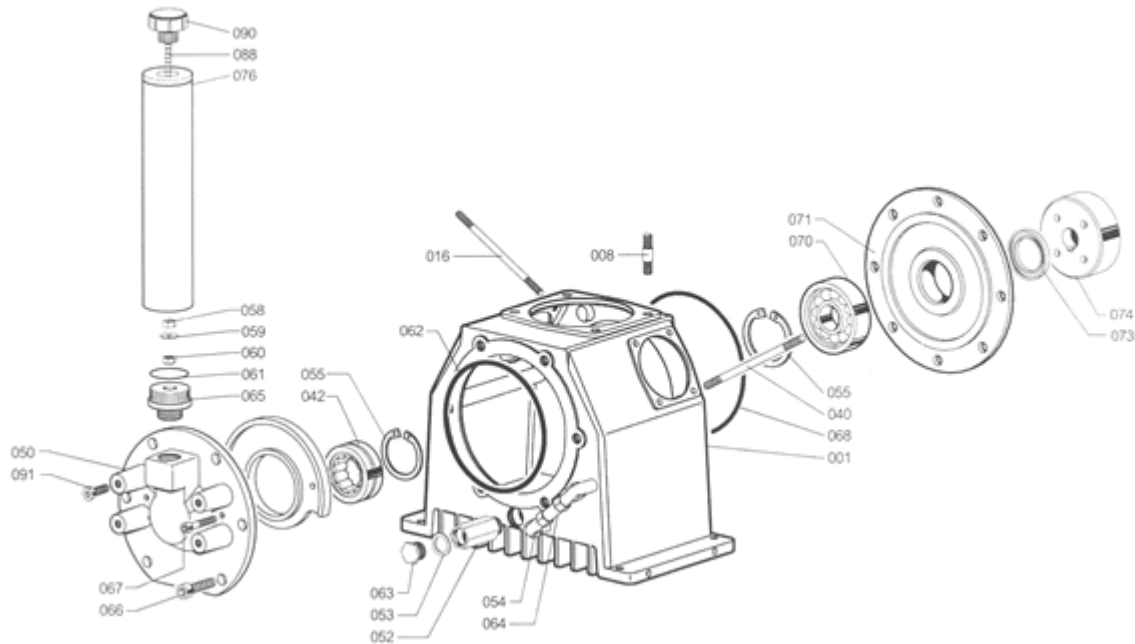


Crankcase



Number	Part Number	SMP Order Code	Description
001	13-00-0001	CMPSC.S198	Crankcase
008	13-01-0008	CMPSC.S199	First Stage Stud
016	13-03-0016	CMPSC.S017	Third Stage Stud
040	13-02-0040	CMPSC.S041	Second Stage Stud
042	13-00-0042	CMPSC.S043	Flange Roller Bearing NU305
050	13-00-0050	CMPSC.S051	Filter Side Flange
052	13-00-0052	CMPSC.S053	Oil Discharge Extension
053	13-00-0053	CMPSC.S054	Copper Washer
054	13-00-0021	CMPSC.S220	Corner 1/8 Pipe Fitting 8 mm. RILSAN
055	13-00-0055	CMPSC.S071	SEEGER Retaining Ring J 62
058	13-00-0018	CMPSC.S059	8mm. Nut
059	13-00-0009	CMPSC.S060	8mm. Flat Washer
060	13-00-0018	CMPSC.S059	8mm. Nut
061	13-00-0061	CMPSC.S200	Oil Filling Pipe O-Ring
062	13-00-0062	CMPSC.S063	Flange O-Ring
063	13-00-0063	CMPSC.S064	Oil Discharge Cap
064	13-00-0064	CMPSC.S065	Oil Level Control Pipe
065	13-00-0065	CMPSC.S066	Oil Filling Pipe Fitting
066	13-00-0048	CMPSC.S067	8x25 TCE Screw
067	13-00-0067	CMPSC.S068	6x35 TCE Screw
068	13-00-0062	CMPSC.S063	Flange O-Ring
070	13-00-0070	CMPSC.S203	Ball Bearing 6302
071	13-00-0071	CMPSC.S072	Fan Side Flange
073	13-00-0073	CMPSC.S074	Oil Splash Guard 30-48-8

074	13-00-0074	CMPSC.S075	Fan-Holding Hub
076	13-00-0076	CMPSC.S077	Oil Filling Pipe with Upper Flange
088	13-00-0088	CMPSC.S204	8mm. Dipstick
090	13-00-0090	CMPSC.S090	Oil Filling Cap
091	13-00-0048	CMPSC.S091	8x25 TCE Screw