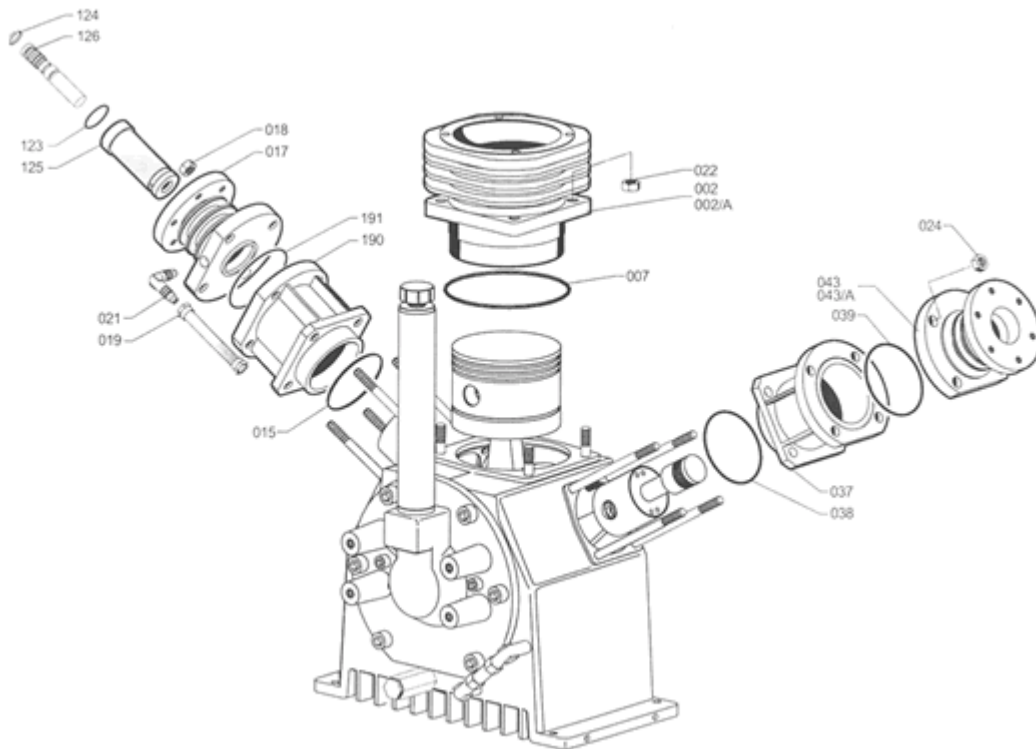


SUBMARINE MANUFACTURING & PRODUCTS

Building Excellence in Diving Equipment

Fleetwood Road, Wesham
 Nr Kirkham, Preston
 Lancashire, UK
 PR4 3HD
 Tel +44/0 1772 687775
 Fax +44/0 1772 687774
<http://www.smp-ltd.co.uk>
sales@smp-ltd.co.uk

Cylinder Unit



Number	Part Number	SMP Order Code	Description
002	13-01-0002	CMPSC.S003	First Stage 88mm. Cylinder
002/A	16-01-0002	CMPSC.S217	First Stage 95mm. Cylinder
007	13-01-0007	CMPSC.S008	First Stage Cylinder O-Ring
015	13-00-0015	CMPSC.S016	Third Stage Cylinder O-Ring
017	13-02-0017	CMPSC.S018	Third Stage Guiding Cylinder
018	13-00-0018	CMPSC.S019	8mm. Bolt
019	13-00-0019	CMPSC.S219	Lubrication Indicator Pipe
021	13-00-0021	CMPSC.S220	Corner 1/8 Pipe Fitting 8mm. RILSAN
022	13-00-0018	CMPSC.S019	8mm. Nut
024	13-00-0018	CMPSC.S019	8mm. Nut
037	13-02-0037	CMPSC.S038	Second Stage 60mm. Guiding Cylinder
038	13-00-0015	CMPSC.S016	Guiding Cylinder O-Ring
039	13-00-0039	CMPSC.S040	Second Stage Cylinder O-Ring
043	13-02-0043	CMPSC.S044	Second Stage 36mm. Cylinder
043/A	16-02-0043	CMPSC.S222	Second Stage 38mm. Cylinder
123	13-03-0123	CMPSC.S223	3rd Stage VITON O-Ring
124	13-03-0124	CMPSC.S224	Set of 3rd Stage Piston Rings
125	13-03-0125	CMPSC.S154	14mm. Third Stage Cylinder
126	13-03-0126	CMPSC.S155	14mm. Third Stage Piston
190	13-03-0190	CMPSC.S225	Third Stage 60mm. Guiding Cylinder
191	13-00-0039	CMPSC.S040	Third Stage Guiding Cylinder O-Ring



