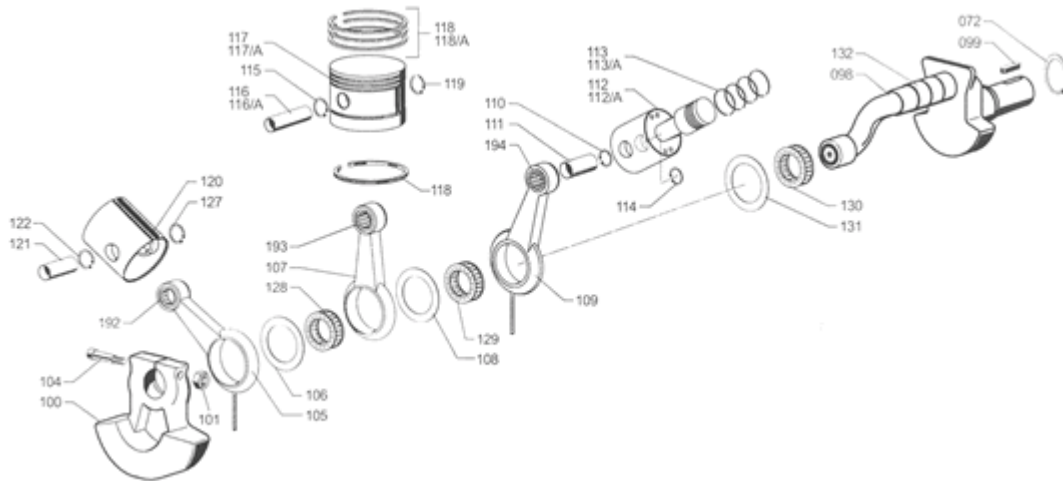


SUBMARINE MANUFACTURING & PRODUCTS

Building Excellence in Diving Equipment

Fleetwood Road, Wesham
 Nr Kirkham, Preston
 Lancashire, UK
 PR4 3HD
 Tel +44/0 1772 687775
 Fax +44/0 1772 687774
<http://www.smp-ltd.co.uk>
sales@smp-ltd.co.uk

Piston Rod Unit



| Number | Part Number | SMP Order Code | Description |
|--------|-------------|----------------|--------------------------------------|
| 072 | 13-00-0072 | CMPSC.S073 | SEEGER Retaining Ring A 30 |
| 098 | 13-00-0098 | CMPSC.S127 | Crankshaft |
| 099 | 13-00-0099 | CMPSC.S128 | Key |
| 100 | 13-00-0100 | CMPSC.S129 | Counterweight |
| 101 | 13-00-0101 | CMPSC.S130 | 8mm. Self-Locking Nut |
| 104 | 13-00-0104 | CMPSC.S133 | 8x65 TCE Screw |
| 105 | 13-00-0105 | CMPSC.S134 | Third Stage Connecting Rod Assembly |
| 106 | 13-00-0106 | CMPSC.S135 | Spacer |
| 107 | 13-01-0107 | CMPSC.S136 | First Stage Connecting Rod Assembly |
| 108 | 13-00-0106 | CMPSC.S137 | Spacer |
| 109 | 13-00-0105 | CMPSC.S138 | Second Stage Connecting Rod Assembly |
| 110 | 13-00-0110 | CMPSC.S139 | SEEGER Retaining Ring |
| 111 | 13-02-0111 | CMPSC.S140 | 2nd Stage Pin |
| 112 | 13-02-0112 | CMPSC.S141 | Second Stage 36mm. Piston |
| 112/A | 16-02-0112 | CMPSC.S205 | Second Stage 38mm. Piston |
| 113 | 13-02-0113 | CMPSC.S142 | 2nd Stage 36mm. Piston Rings |
| 113/A | 16-02-0113 | CMPSC.S206 | 2nd Stage 38mm. Piston Rings |
| 114 | 13-00-0110 | CMPSC.S143 | SEEGER Retaining Ring |
| 115 | 13-00-0110 | CMPSC.S144 | SEEGER Retaining Ring |
| 116 | 13-01-0116 | CMPSC.S145 | First Stage 88mm. Pin |
| 116/A | 16-01-0116 | CMPSC.S207 | First Stage 95mm. Pin |
| 117 | 13-01-0117 | CMPSC.S146 | First Stage 88mm. Piston |
| 117/A | 16-01-0117 | CMPSC.S208 | First Stage 95mm. Piston |
| 118 | 13-01-0118 | CMPSC.S147 | 1st Stage 88mm. Piston Rings |
| 118/A | 16-01-0118 | CMPSC.S209 | 1st Stage 95mm. Piston Rings |
| 119 | 13-00-0110 | CMPSC.S148 | SEEGER Retaining Ring |
| 120 | 13-03-0120 | CMPSC.S149 | Guiding Sliding Block |
| 121 | 13-02-0111 | CMPSC.S150 | 3rd Stage Pin |
| 122 | 13-00-0110 | CMPSC.S151 | SEEGER Retaining Ring |
| 127 | 13-00-0110 | CMPSC.S152 | SEEGER Retaining Ring |
| 128 | 13-00-0128 | CMPSC.S210 | Roller Cage |



| | | | |
|-----|------------|------------|---------------|
| 129 | 13-00-0128 | CMPSC.S211 | Roller Cage |
| 130 | 13-00-0128 | CMPSC.S211 | Roller Cage |
| 131 | 13-00-0106 | CMPSC.S212 | Spacer |
| 132 | 13-00-0132 | CMPSC.S213 | Hardened Ring |
| 192 | 13-00-0192 | CMPSC.S214 | Roller Cage |
| 193 | 13-00-0192 | CMPSC.S215 | Roller Cage |
| 194 | 13-00-0192 | CMPSC.S216 | Roller Cage |