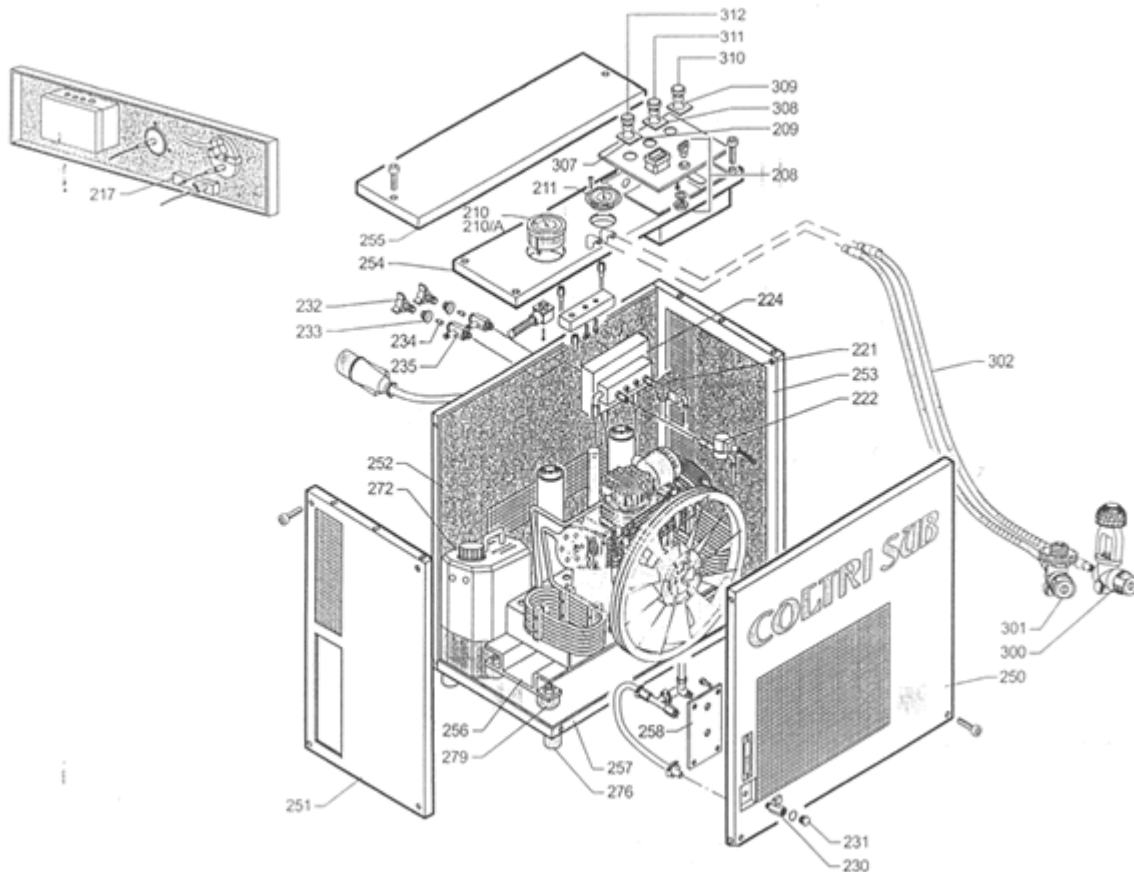


# SUBMARINE MANUFACTURING & PRODUCTS

## Building Excellence in Diving Equipment

Fleetwood Road, Wesham  
 Nr Kirkham, Preston  
 Lancashire, UK  
 PR4 3HD  
 Tel +44/0 1772 687775  
 Fax +44/0 1772 687774  
<http://www.smp-ltd.co.uk>  
[sales@smp-ltd.co.uk](mailto:sales@smp-ltd.co.uk)

### MCH 13-16/ET Compact



| Number | Part Number | SMP Order Code | Description                              |
|--------|-------------|----------------|--|
| 208    | 13-04-0208  | CMPSC.S334     | Complete Lock                            |
| 209    | 13-04-0209  | CMPSC.S335     | Swiathboard Panel                        |
| 210    | SC000310    | DGAU.S0013     | 280 BAR Pressure Switch                  |
| 210/A  | SC000315    | DGAU.S0014     | 330 BAR Pressure Switch                  |
| 211    | 13-04-0211  | CMPSC.S397     | Pressure Gauge with Flange               |
| 217    | 13-04-0217  | CMPSC.S339     | Reload Ramp Aluminium Block              |
| 221    | 13-04-0221  | CMPSC.S340     | LP Condensation Discharge Solenoid Valve |
| 222    | 13-04-0222  | CMPSC.S341     | HP Condensation Discharge Solenoid Valve |
| 224    | 13-04-0224  | CMPSC.S342     | Condensation Discharge Aluminium Block   |
| 230    | 13-04-0230  | CMPSC.S343     | Oil Discharge Cock                       |
| 231    | 13-04-0231  | CMPSC.S344     | 1/2" Oil Discharge Cap                   |
| 232    | 13-00-0164  | CMPSC.S345     | Condensate Discharge Handwheel           |
| 233    | 13-00-0163  | CMPSC.S346     | Condensate Discharge Spring              |
| 234    | 13-00-0162  | CMPSC.S347     | Nylon Condensate Discharge               |
| 235    | 13-00-0161  | CMPSC.S348     | Condensate Discharge Cap Casing          |
| 250    | 13-04-0400  | CMPSC.S349     | Compact Front Panel                      |
| 251    | 13-04-0401  | CMPSC.S350     | Compant Left-Hand Side Panel             |
| 252    | 13-04-0402  | CMPSC.S351     | Compact Rear Panel                       |
| 253    | 13-04-0403  | CMPSC.S352     | Compact Right-Hand Side Panel            |



|     |            |            |   |
|-----|------------|------------|---|
| 254 | 13-04-0404 | CMPSC.S353 | Compact Upper Instrument Panel                |
| 255 | 13-04-0405 | CMPSC.S354 | Compact Upper Panel                           |
| 256 | 13-04-0406 | CMPSC.S355 | Motor-Compressor Support                      |
| 257 | 13-04-0407 | CMPSC.S356 | Base  |
| 258 | 13-04-0408 | CMPSC.S357 | Compact Oil Level Plate                       |
| 272 | 13-04-0272 | CMPSC.S358 | Condensation Discharge Can with Pipe Fittings |
| 276 | 16-05-030  | CMPSC.S359 | Vibration Damping Support                     |
| 279 | 13-04-0279 | CMPSC.S360 | Vibration Dampner with Double Attachment      |
| 300 | SC000450   | CMPSC.S192 | BC INT Cock                                   |
| 301 | SC000460   | CMPSC.S193 | BC DIN 200 BAR Cock                           |
| 302 | 13-04-238  | CMPSC.S364 | HP 1200mm. Pipe                               |
| 307 | 13-04-0203 | CMPSC.S365 | Off Plate                                     |
| 308 | 13-04-0204 | CMPSC.S366 | On Plate                                      |
| 309 | 13-04-0205 | CMPSC.S367 | Manual Purge Plate                            |
| 310 | 13-04-0202 | CMPSC.S368 | Yellow Condensation Discharge Button          |
| 311 | 13-04-0201 | CMPSC.S369 | Green Start Button                            |
| 312 | 13-04-0200 | CMPSC.S370 | Red Stop Button                               |